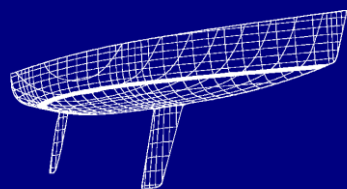




World Leader in Rating Technology

# OFFSHORE RACING CONGRESS



**International Measurement System**  
*IMS 2017*

Copyright © 2017 Offshore Racing Congress.

All rights reserved. Reproduction in whole or in part is only with the permission of the Offshore Racing Congress.

Cover picture: Inclining test  
by courtesy Pablo Ferrer

Margin bars denote rule changes from 2016 version.



**ORC**

*World leader in Rating Technology*

# **INTERNATIONAL MEASUREMENT SYSTEM**

# **IMS**

# **2017**

Offshore Racing Congress, Ltd.

[www.orc.org](http://www.orc.org)

[orc@orc.org](mailto:orc@orc.org)

# CONTENTS

## Part A – ADMINISTRATION

A1	Language .....	3
A2	Abbreviations and Definitions .....	3
A3	Authorities .....	3
A4	ISAF Rules .....	3
A5	Rules Amendments .....	4
A6	Rules Interpretations .....	4
A7	Measurement .....	4

## Part B – HULL

B1	General .....	5
B2	Measurement Procedure .....	5
B3	Hull Offset File .....	6
B4	Measurement Trim .....	6
B5	Flotation Measurements .....	8
B6	Additional Hull Measurements .....	8
B7	Other Hull Measurements .....	10

## Part C – APPENDAGES

C1	General .....	11
C2	Centerboard .....	11
C3	Twin rudders .....	12
C4	Bilgeboard .....	12
C5	Trim tab .....	12
C6	Dynamic Stability System .....	12

## Part D – PROPELLER

D1	General .....	13
D2	Propeller Types .....	13
D3	Propeller Installations .....	13
D4	Propeller Measurements .....	13

## Part E – STABILITY

E1	General .....	16
E2	Inclining Test .....	16
E3	Water Ballast .....	17
E4	Canting Keel .....	17

## Part F – RIG

F1	General .....	18
F2	Mainsail Hoist .....	18
F3	Mast Heights .....	18
F4	Mast Spar Dimensions .....	19
F5	Boom Spar Dimensions .....	19
F6	Rigging measurements .....	19
F7	Spinnaker Pole and Bowsprit .....	20
F8	Rig Weight and Centre of Gravity .....	20
F9	Other Rig Measurements .....	20
F10	Mizzen Rig Measurements .....	21

## Part G – SAILS

G1	General .....	24
G2	Mainsail .....	24
G3	Mizzen .....	24
G4	Headsail .....	25
G5	Mizzen Staysail .....	25
G6	Spinnakers .....	25
G7	Sail Measurement Stamp .....	26

## APPENDIX 1 – CRUISER/RACER REGULATIONS

### Part 1 – GENERAL

	Introduction .....	28
101	Cruiser/Racer Category .....	28
102	Fundamental Requirements and Definitions ...	28

### Part 2 – ACCOMMODATION REQUIREMENTS

201	Accommodation Areas .....	29
202	Accommodation Length .....	29
203	Cabin Sole .....	29
204	Headrom .....	29
205	Living Area .....	29
206	Sleeping Area .....	29
207	Galey Area .....	29
208	Toilet & Wash Baisn .....	30
209	Navigation Area .....	30
210	Hanging Locker .....	30
211	Fresh Water Capacity .....	30
212	Fuel Capacity .....	30
213	Cockpit .....	30

	Index of Symbols .....	31
--	------------------------	----



# Part A - ADMINISTRATION

---

## A1 Language

- A1.1 The official language of the IMS is English and in case of dispute over translations the English text shall prevail.
- A1.2 The word "shall" is mandatory and the word "may" is permissive.

## A2 Abbreviations and Definitions

- A2.1
- |      |                                  |
|------|----------------------------------|
| IMS  | International Measurement System |
| ORC  | Offshore Racing Congress         |
| ISAF | International Sailing Federation |
| ERS  | Equipment Rules of Sailing       |
| RRS  | Racing Rules of Sailing          |

### A2.2 Age Date

- a) Age Date shall be the month and year of the first launching when the boat was completed and equipped for sailing. Age Date may be taken either from the owner's documentary evidence or as month and date of the first measurement afloat.
- b) Age Date shall be changed and new measurement shall be required after any hull modifications except:
- change outside the canoe body, defined as the hull surface of the yacht, including transom, continued to the centerline tangentially from the point of final inflection into the keel and skeg
  - fairing of new appendages
  - removal of bumps outside the canoe body outer skin
  - filling of hollows (e.g., in the IOR after girth area)
  - forward or aft extensions or reductions of the fair surface of the hull, limited to modifications only within 0.10\*LOA of the forward and/or aft end(s) of LOA

The total of modifications to the canoe body surface shall not exceed 20% of the total surface prior to modification.

- A2.3 **Series Date** shall be the Age Date of the earliest boat of an unmodified series built in the production moulds or jigs.
- A2.4 **Flotation Date** shall be the date when the most recent measurement afloat was completed.
- A2.5 **Measurement Date** shall be the date when the most recent measurement was completed.

## A3 Authorities

The sole authority for the IMS is the Offshore Racing Congress and it shall be maintained and administered at the ORC's discretion.

## A4 ISAF Rules

- A4.1 These **class rules** shall be read in conjunction with the ERS.
- A4.2 Except where used in headings, when a term is printed in "**bold**" the definition in the ERS applies and when a term is printed in "*italics*" the definition in the RRS applies.
- A4.3 When printed in "***bold italics***" the term is used as measurement taken or recorded by the measurer.

**A5 Rules Amendments**

Amendments to the ORC International are subject to the submission by the ORC Nominating bodies and approval of the ORC in accordance with the Articles of Association of ORC Ltd.

**A6 Rules Interpretations**

Any such interpretation shall be published and taken as rule change with immediate effect whenever needed. It may be overruled only by the ORC Management Committee and Congress, and if not objected it shall be included in the next rule revision with the necessary amendments.

**A7 Measurement**

- A7.1 The term “measurement” shall be taken to include also identification as to type, category, number, material, construction, etc. as may be determined by examination or declaration.
- A7.2 Measurements shall be taken from the yacht wherever practicable but where this is unduly difficult the Chief Measurer may approve the use of plans or other such sources of information as he considers reliable.
- A7.3 Measurers shall be appointed by the ORC or, with the approval of the ORC, by the Rating Authority. A Measurer shall not measure a yacht of another Rating Authority without the permission of that Authority. No Measurer, assistant, nor Rating Office staff shall participate in the measurement or processing of measurements of a yacht owned, designed or built, wholly or partly, by himself or in which he is an interested party, or in which he has acted as a consultant or has a vested interest. Except for reasonable and brief clarification of points in the Rules, this applies to any consultation or advice on rating values regardless of whether or not any payment is involved.
- A7.4 Measurements, unless otherwise specified, shall be taken and recorded to the nearest greater value as follows:
- a) **Metric system:** All measurements shall be in meters to three decimal places except that sail measurements shall be to two places of decimals. Weights shall be in kilograms to one decimal place.
  - b) **Imperial system:** All measurements shall be in feet to two decimal places except that sail measurements shall be to one decimal place. Weights shall be in pounds.
- A7.5 In case of doubt in any measurement taken or recorded or any procedure, the measurer shall refer his questions, together with the relevant facts, to the ORC Chief Measurer and shall be bound by his interpretation.

## Part B - HULL

---

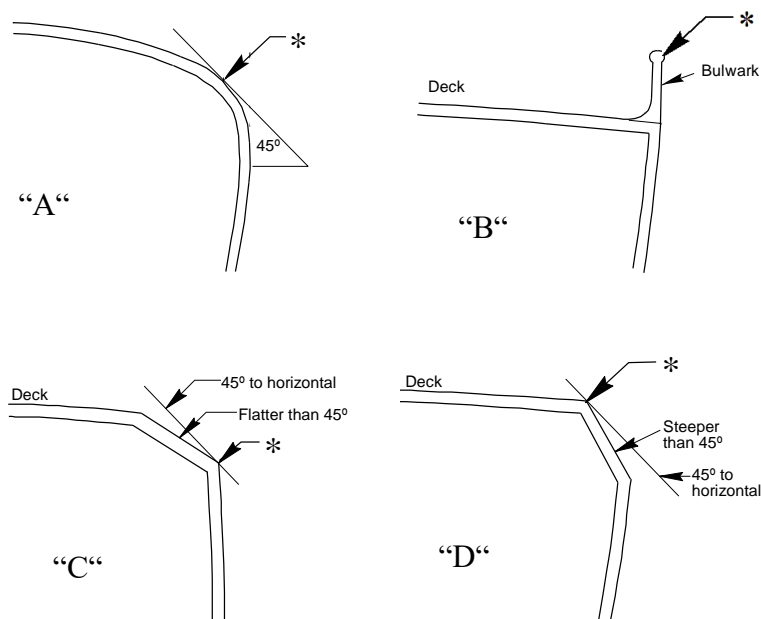
### B1 General

- B1.1 Hull shall be a monohull only. Except at the recess in the area where appendages connect to the hull, the canoe body depth in any section shall not decrease towards the center line.
- B1.2 A hull measurement shall be performed to create an OFF file describing the body plan of the hull together with appendages by using an ORC approved hull measurement machine or any available measurement instrument capable to measure points in the co-ordinate system as defined herein and detailed in the "ORC OFF File Format" document.
- B1.3 The coordinates system defining the hull shall be positioned as follows:
- X axis – longitudinal with 0 at stem and positive towards the stern
  - Y axis – transverse with 0 at the centerline and positive outwards
  - Z axis – vertical with 0 at the waterline and positive upwards

### B2 Measurement Procedure

- B2.1 The yacht shall be presented for measurement ashore in an accessible location, clear of obstructions, properly and firmly chocked and leveled athwartships and approximately in the same longitudinal trim which it might reasonably be expected to assume when afloat in measurement trim. A centerboard, if any, shall be in its maximum raised position. A centerboard that can be locked to prevent movement while *racing*, shall be in its locked position and measured as a keel. Rigging shall be slack. All appendages shall be fitted and any fairings shall be in place.
- B2.2 Station points shall be taken starting from lowest to the highest point at stations from stem to stern as follows:
- Approximately 20 stations and a maximum of 180 shall be taken from each side spaced with maximum distance of 5% *LOA*. Within the forward 15% of *LOA* the spacing between stations shall not be greater than 2.5% of *LOA*.
  - The forward freeboard station shall normally be placed approximately 0.5 m from the stem, but it may also be placed in other easily recognized distance from the stem (bobstay fitting).
  - The aft freeboard station shall normally be placed at the aftermost section at which the hull could be girthed without crossing the transom, but it may also be placed in other easily recognized distance from the stem (for example transom end).
  - Stations shall be taken also at the edges of any appendage, at the maximum draft and at any significant change of profile in longitudinal direction.
  - Freeboards stations and at least one midship section shall be taken from both sides at the same distance from the bow.
- B2.3 The top point at any measurement station shall normally be the lowest point on the topsides of the hull where a tangent at 45 degrees can be rested on the hull. Where any bulwark is a fair continuation of the line of the topsides of the yacht, the top point shall be taken on the top of the bulwark. A bulwark shall be interpreted to mean any part of the topsides extending above the lowest level of the deck at that station.
- B2.4 The freeboard points shall be taken on the freeboard stations as either of:
- The top point as defined in B2.3; or
  - Any other point that can be clearly identified on the hull and if needed described with photo or drawing

Various top points



**B3 Hull Offset File**

- B3.1 Once a hull is completely measured, an OFF file shall be generated using ORC-approved software by the Rating Authority or if needed by the ORC Chief Measurer. The OFF file shall be accompanied with relevant documentation such as photos of freeboard points or diagrams describing complete hull, appendages or other details. Where a number of hulls of the same model are built using the same moulds for the hull, keel and rudder, a standard OFF file for that model will be created and no hull measurement will be needed for other boats built from the same mould.
- B3.2 Any change of the hull, keel or rudder of a model with an existing OFF file shall be re-measured again and a new OFF file shall be created. In case of minor changes new measurements may be taken directly on the changed parts by taking new dimensions comparing existing point coordinates and changing them to the new values. Any larger changes shall be re-measured using the same method as on the original model.

**B4 Measurement Trim**

- B4.1 Boats shall be dry in light ship condition without crew which shall include the following:
  - a) Internal ballast, if any, which shall be fixed below the cabin sole, or as low as possible at any station and fixed to the hull structure to prevent movement.
  - b) Batteries
  - c) Fixed and/or essentially permanent interior accommodation, hatch covers and floor boards.
  - d) Fixed and/or essentially permanent machinery, electrical and plumbing systems
  - e) Outboard motor when it is stowed aboard in appropriate stowage
  - f) Mast, boom, spinnaker pole and/or sprit, if any, in their normal position when racing upwind. Masts shall be raked aft to the limit of their adjustment. Where this limit is forward of the vertical the mast shall be set vertical.
  - g) Standing rigging and fittings. All standing rigging and related fittings used whilst racing shall be attached in their normal positions. Running rigging forward of the mast and all halyards and lifts



shall be taken to the foot of the mast and hauled tight. All other pieces of running rigging abaft the mast shall be taken to their aftermost position and hauled tight. All halyard tails shall be taken to their normal working positions. If the halyard weight varies significantly along its length, the tail shall be on the cabin floor for the inclining experiment, with the halyard fully hoisted and attached to a light messenger line. A halyard may be used as a topping lift.

- h) Rudder, wheel/tiller and steering gear, fitted complete as for racing.
- i) Keel and any bulb, fitted complete as for racing.
- j) Centerboard(s) and drop keels shall be fully raised. If any drop keel or movable appendage is to be locked when *racing* it shall be so locked and the locking device shall be in place.
- k) All fixed electronics, instruments, compasses, lights, antennas and masthead devices.
- l) All halyards as for racing.
- m) Boom running rigging and any vang, as for racing. Booms shall be secured at the low points of **P** and **PY**, as the case may be.
- n) Hydraulic systems including hydraulic tanks shall be full for measurement and shall remain full when *racing*.
- o) Pulpits, stanchions and lifelines.
- p) Mattresses and permanently installed table, doors on their normal position
- q) Permanently installed stoves, heaters or other electrical devices
- r) DSS appendage shall be completely retracted with no part outside of the hull
- s) Bilgeboard(s) shall be fully raised.

B4.2 Specifically excluded from Measurement Trim is the following:

- a) Water and the liquid contents of any tanks or voids in the keel or any other appendage. Fuel tank shall be as empty as possible (recommended) or full with its capacity, distance from stem and condition at measurement recorded. Any liquid recorded in the tank is deducted from the displacement, and the trim recalculated, and freeboard measurements are adjusted accordingly.
- b) Any sails, including storm and emergency sails.
- c) Sheets, blocks, winch handles and other running rigging, except as in B4.1 above.
- d) All portable safety gear, including fire extinguishers and liferafts.
- e) Cushions, pillows and any other bedding, towels, etc.
- f) All cooking and eating utensils, portable heaters and compressed gas bottles
- g) Any food or stores
- h) All tools, spares and stores.
- i) Miscellaneous portable and personal gear, books, navigation tools, etc.
- j) Anchors and anchor ropes, including both chain and fiber.
- k) Dock and mooring lines and any other cordage.
- l) Outboard engines without appropriate stowage and portable fuel containers.

B4.3 For boats with **LOA** > 24.0 m items listed in B4.2 when impracticable to be removed from the boat, may remain aboard with their weight and longitudinal and vertical position recorded. Freeboards and stability measurements shall then be adjusted by subtracting recorded items. This procedure shall be verified and approved by the ORC Chief Measurer.

B4.4 Measurement inventory shall be recorded as follows:

- a) **Interior Ballast**: description, weight, distance from stem, height from the waterline
- b) **Batteries**: description, weight, distance from stem, height from the waterline
- c) **Engine**: manufacturer, model

- d) **Tanks:** Use, type, capacity, distance from stem, height from the waterline, condition at measurement
- e) **Miscellaneous:** description, weight, distance from stem, height from the waterline (boiler, aircon, heating etc)

The following additional items are reported for legacy measurements before 01/01/2013 and for boats with **LOA** > 24.0 m when B4.3 is applied, following:

- a) **Anchor:** weight, distance from stem, height from the waterline
- b) **Anchor chain:** weight, distance from stem, height from the waterline
- c) **Tools:** weight, distance from stem, height from the waterline
- e) **Safety equipment:** weight, distance from stem, height from the waterline
- f) **Deck equipment:** weight, distance from stem, height from the waterline

## B5 Flotation Measurements

- B5.1 **SFFP** shall be the horizontal distance from the forward end of LOA to the forward freeboard station.
- B5.2 **SAFP** shall be the horizontal distance from the forward end of LOA to the aft freeboard station.
- B5.3 **FFM** shall be the average of port and starboard freeboards measured vertically from the water level to a freeboard point at the station at **SFFP** from stem within the OFF file.
- B5.4 **FAM** shall be the average of port and starboard freeboards measured vertically from from the water level to a freeboard point at the station at **SAFP** from stem within the OFF file.
- B5.5 **SG** shall be the specific gravity of the water sampled from a level 0.3 m below the surface.

## B6 Additional Hull Measurements

- B6.1 Hull measurements defined below in rule B6 can be calculated from the OFF file with flotation measurement or obtained from direct measurement.
- B6.2 **LOA** shall be the length overall of a yacht including the whole hull, excluding any spars or projections fixed to the hull such as chainplates, bowsprits, boomkins, pulpits, etc., and as measured between
  - a) a point forward being the forwardmost of the following points:
    - i) the stem of the yacht, whether carried above the deck level or not, or
    - ii) the bulwarks of the yacht where these are extended above the stem.
  - b) a point aft, being the extreme after end of the hull and bulwarks or taffrail of the yacht whether at, above, or below deck level. Rubbing strakes at the stern will be included. If a rudder and/or a push-pit extend abaft this point, neither one nor the other will be included.
- B6.3 **MB** shall be the maximum beam.
- B6.4 **SMB** shall be the horizontal distance from the forward end of LOA to the maximum beam station.
- B6.5 **SDM** shall be the distance from the bow to the maximum draft section.
- B6.6 **DMT** shall be the vertical distance from the deepest point of keel (including any bulb) to the top point at the same section.
- B6.7 **FDM** shall be the average of port and starboard freeboards measured vertically from the the water level to the top point at the section at **SDM** from stem.
- B6.8 **FBI** shall be the average of port and starboard freeboards measured vertically from the the water level to the top point at the section at the fore side of the mast.
- B6.9 **Y** shall be the freeboard measured vertically from the aftermost point of the hull to the water level at the boat's centerline.

B6.10 **FO** shall be the forward overhang measured as follows:

- a) If the bow knuckle is above the waterline, **FO** shall be the horizontal distance from the forward end of **LOA** to the point where a 45 degree angle intersects the knuckle.
- b) If the bow knuckle is below the waterline, **FO** equals the horizontal distance from the forward end of **LOA** to the intersection of the stem with the waterline.

B6.11 **DSPW** shall be the total weight of a boat in measurement trim.

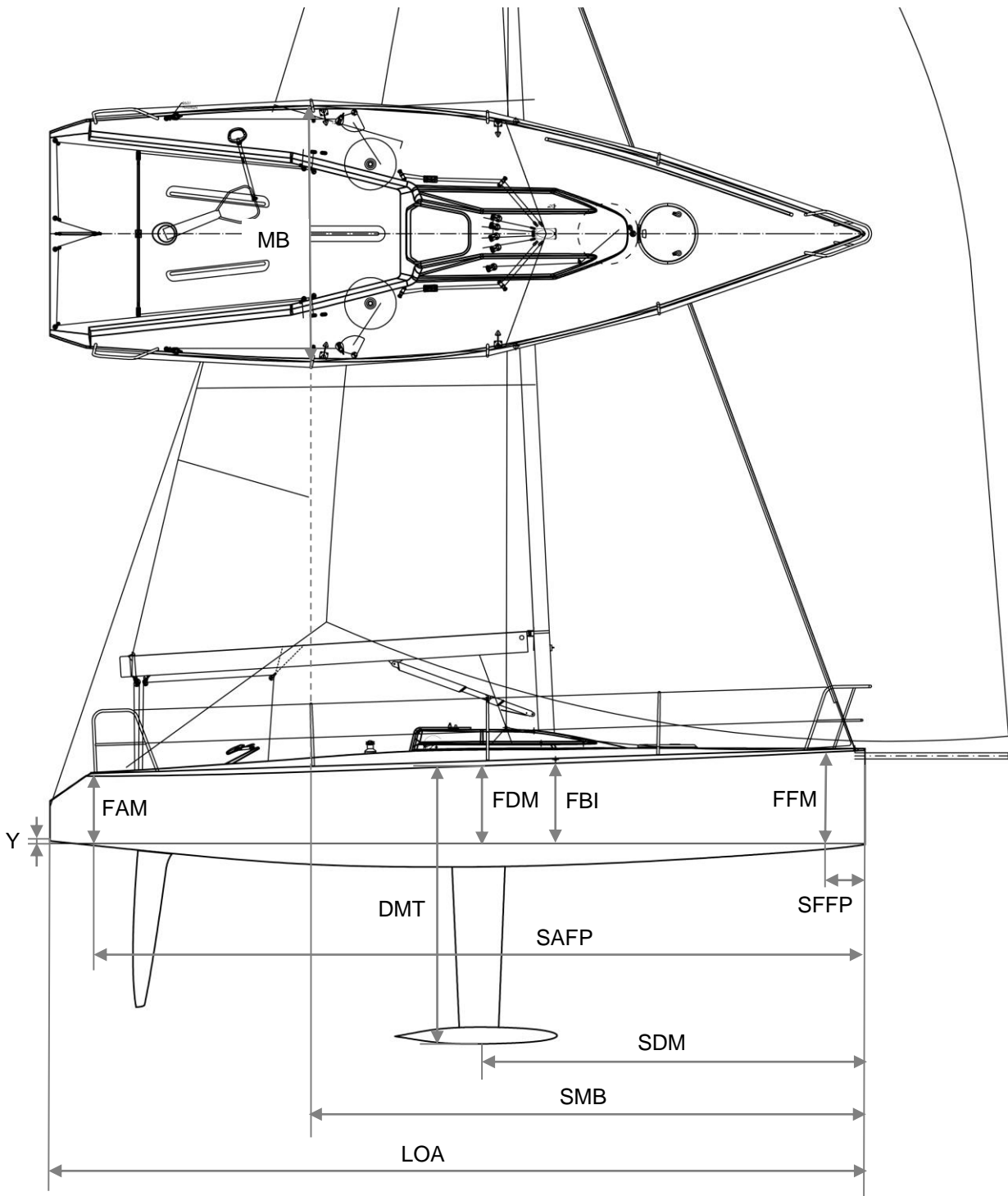


Diagram for illustration only

**B7 Other Hull Measurements**

B7.1 **Hull construction** shall be recorded as one of the following:

- a) **SOLID:** Non-cored, solid E-glass, metal or wood hull and deck, but including also E-glass decks with core material. Where the construction is of wood, the minimum density of any layer shall not be less than 300 kg/m<sup>3</sup>.
- b) **CORED:** Hull skin of E-glass (see above) or wood, but incorporating a core material of less density than the skin.
- c) **LIGHT:** All other construction types, but excluding the incorporation of any carbon fiber.
- d) **CARBON:** Where carbon fiber has been incorporated anywhere in the construction of the hull and/or deck

Limited amounts of High Strength Carbon edge-capping of bona fide hull structural frames, girders and stringers, and as localized reinforcement of chain plate attachments on bulkhead faces, are allowed in each hull construction category provided it is used below decks between 0.3 \* *LOA* and 0.7 \* *LOA* aft of the stem.

For hull and deck construction, a declaration from the owner may be substituted for examination of one or more elements, but all elements are subject to examination at any time in case of doubt.

B7.2 **Honeycomb core** In addition to recording the appropriate construction type as above, if a honeycomb core has been incorporated in hull or deck construction, this shall also be recorded as "YES" or "NO".

B7.3 **Rudder construction** shall be classified as one of the following:

- a) **STANDARD:** Neither rudder nor rudder post contain any carbon fiber.
- b) **CARBON:** Rudder and/or rudder post contain carbon fiber in any amount.

B7.4 **Forward Accommodation** When the interior volume forward of the mast is fully fitted out as a separate sleeping or living area (toilet and wash basin do not qualify) built of solid construction, including berths (pipe berths do not qualify) with mattresses and cushions on settees, personal gear stowage, etc. complying with Cruiser/Racer Regulations (Appendix 1) this shall be recorded as "YES" or "NO".

B7.5 **Light materials in lifeline elements** If there is light material such as titanium or carbon used in lifelines elements (stanchions, pulpits, pushpits etc.) this shall be recorded as "YES" or "NO".

## Part C - APPENDAGES

---

### C1 General

- C1.1 Hull appendages set in the symmetry plane are measured within the offset file or by individual measurements as follows:
- a) **KTHU** shall be the maximum thickness found at a horizontal section located 100 mm below the intersection of the keel root and the hull surface.
  - b) **KTHM** shall be the maximum thickness found at a horizontal section located midway the sections at **KTHU** and **KTHL**.
  - c) **KTHL** shall be the maximum thickness found at a horizontal section located 100 mm above the intersection of the keel blade and keel bulb.
  - d) **KBW** shall be the maximum transverse width of the keel bulb.
  - e) **KBL** shall be the maximum longitudinal length of the keel bulb.
  - f) **KBH** shall be the maximum vertical height of the keel bulb.
  - g) **KBWT** shall be the weight of the keel bulb.
  - h) **KW** shall be the weight of complete keel, including any bulb, excluding fasteners.
  - i) **KWC** shall be the weight of complete keel with a fin containing carbon fiber, including any bulb, excluding fasteners.
  - j) **KCG** shall be the vertical distance from the deepest point of the keel, including any bulb to the vertical center of gravity of complete keel, including any bulb.
- C1.2 Retractable appendages, or those set outside of the symmetry plan shall be measured separately as defined below.

### C2 Centerboard

- C2.1 In addition to the hull measurement, a centerboard or drop keel measurement shall be taken as follows:
- C2.2 **ECM** shall be the vertical distance from the lowest point of the hull or fixed keel, whichever is deeper, to the lowest point of the centerboard in its fully lowered position. In the case of tandem centerline centerboards, **ECM** shall be taken for the centerboard that produces the greatest effective centerboard extension.
- C2.3 **KCDA** shall be determined as follows: At the station of the maximum centerboard thickness, a vertical line shall be taken at 2.5 times the maximum thickness of the centerboard from the centerline. **KCDA** shall then be measured as a distance between two points on that vertical line:
- a) at the level of the lowest point of the hull or fixed keel, whichever is deepest; and
  - b) at the intersection with the hull or fixed keel.
- Any bulb or winglets in between shall be disregarded.
- C2.4 **WCBA** shall be the weight of the centerboard or drop keel in air. Where there is more than one board the weight of the additional board shall be recorded as **WCBB**.
- C2.5 **CBDA** shall be the vertical distance through which the center of gravity of the centerboard or drop keel can be lowered. When there is more than one board the figure for the additional board shall be recorded as **CBDB**.
- C2.6 Three centerboard chords shall be measured horizontally with the centerboard in the same position as that in which **ECM** was determined as follows:
- a) **CBRC** shall be the centerboard root chord taken at the upper measurement point of **ECM**.
  - b) **CBMC** shall be the centerboard mid chord taken at  $0.50 * ECM$  below the upper measurement point of **ECM**.
  - c) **CBTC** shall be the centerboard tip chord taken at  $0.85 * ECM$  below the upper measurement point of **ECM**.



**C3 Twin rudders**

- C3.1 Measurements of twin rudder configuration shall be taken as follows:
- C3.2 **RCG** shall be the longitudinal distance of the rudder centre of lateral area from the stem.
- C3.3 **RSP** shall be the rudder span measured vertically along the rudder from the highest to the lowest point
- C3.4 **RCI** shall be the rudder root chord measured horizontally.
- C3.5 **RTI** shall be the rudder maximum thickness measured perpendicular to the rudder axis.
- C3.6 **RC2** shall be the rudder tip chord.
- C3.7 **RT2** shall be the rudder tip thickness measured as maximum thickness at the rudder tip profile.
- C3.8 **RY** shall be the transverse distance from the rudder axis at the intersection with the hull to the boat's centreline.
- C3.9 **RAN** shall be the angle of the rudder axis measured to the vertical in the transverse plane.
- C3.10 Twin rudder measurements can also be applied for a single rudder on centreline with **RY** and **RAN** measurements set to 0.

**C4 Bilgeboard**

- C4.1 Bilgeboard (also known as canard) measurements shall be taken as follows:
- C4.2 **BS** shall be the bilgeboard span measured from the intersection with the hull at the root to the lowest point, when fully extended.
- C4.3 **BC** shall be the bilgeboard chord measured horizontally.
- C4.4 **BT** shall be the bilgeboard maximum thickness along the bilgeboard profile.
- C4.5 **BX** shall be the longitudinal distance from the stem to the intersection between hull and the bilgeboard leading edge.
- C4.6 **BY** shall be the transverse distance from the centreline to the intersection between the hull and the bilgeboard leading edge.
- C4.7 **BA** shall be the angle of the bilgeboard axis measured to the vertical in the transverse plane.
- C4.8 **BF** shall be the percentage of the bilgeboard span remaining outside of the hull when the bilgeboard is fully raised. 1.0 means that the bilgeboard is fixed, and remains fully extended.
- C4.9 Bilgeboard measurements can also be applied for a single bilgeboard on centreline with **BY** and **BA** measurements set to 0.
- C4.10 Bilgeboard measurements can also be applied for double keels with or without bulb. Bulb measurements, if any, shall be taken as defined in C1.1

**C5 Trim Tab**

The presence of a movable trim tab shall be recorded.

**C6 Dynamic Stability System (DSS)**

- C6.1 **DSS** shall be the span of the extended wing measured along the curvature (if any curvature is present).
- C6.2 **DSC** shall be the maximum chord length.
- C6.3 **DST** shall be the maximum thickness.
- C6.4 **DSA** shall be the angle of the wing with the horizontal axis (if the wing is curved the angle will be measured with a line connecting root chord to tip chord).
- C6.5 **DSD** shall be the distance of the root chord from the centerline of the boat.

## Part D - PROPELLER

---

### D1 General

- D1.1 Speed under power with propeller in smooth water and without assistance of wind shall not be less than  $1.811 * LOA^{0.5}$  (knots) where  $LOA$  is in meters ( $LOA^{0.5}$  where  $LOA$  is in feet).
- D1.2 The propeller shall at all times be ready for use and shall not be retracted, housed or shielded except by a conventional strut or aperture.
- D1.3 The propeller shaft exposed to water flow shall be circular in cross section.
- D1.4 If any of the requirements from D1.1, D1.2 or D1.3 are not met, this shall be recorded as "NO PROPELLER".

### D2 Propeller Types

- D2.1 **Solid Propeller** shall be a standard model in series production, unaltered, having a minimum of two fixed blades of normal elliptical shape and a maximum width of not less than  $0.25 * PRD$  measured across the driving face of the blade on a chord at right angles to the radius of the blade. Pitch shall not be greater than the propeller diameter. Hub and blade area projected into a plane at right angles to the shaft line shall not be less than  $0.2 * PRD^2$ .
- D2.2 **Folding Propeller** shall be a standard model in series production, unaltered, having a minimum of two blades that fold together pivoting on an axis at right angles to the shaft line when not being used for propulsion or any other propeller not qualifying as a solid propeller.
- D2.3 **Feathering Propeller** shall be a standard model in series production, unaltered, having a minimum of two blades that pivot so as to substantially increase pitch when not being used for propulsion.

### D3 Propeller Installations

- D3.1 **In Aperture** installation shall be with solid propeller entirely surrounded in the vertical plane of the shaft line by the keel, skeg, and/or rudder.
- D3.2 **Strut Drive**. The drive train shall be enclosed in a strut and the unit incorporating drive train and strut shall be of a standard model in series production. The surface and shape of the unit may be faired (e.g., with fillers) provided that its function is in no way impaired and none of the dimensions required for measurement of the unit are reduced relative to those as manufactured. For qualified units, where ORC standard dimensions are provided, they shall be used in place of measurements.
- D3.3 **Shaft not exposed** installation shall be in the form of a molded housing, integral with the hull, enclosing essentially the full length of the shaft as well as the void between the shaft and the hull.
- D3.4 **Shaft exposed**. All other types of propeller installation with a shaft

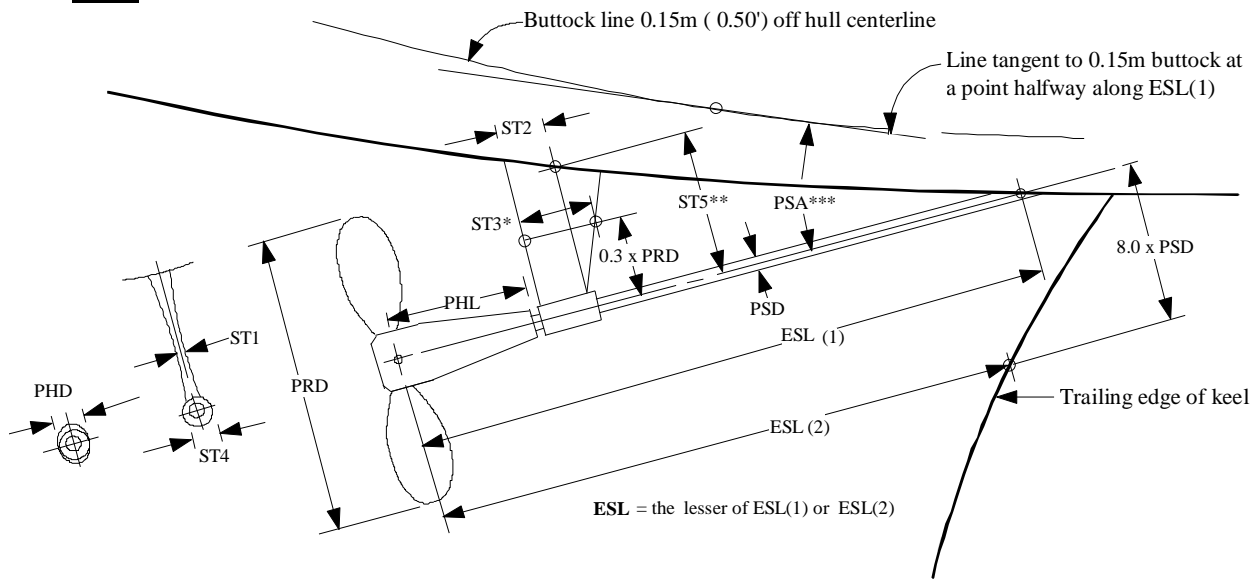
### D4 Propeller Measurements

- D4.1 **PRD** shall be the diameter of the propeller disc.
- D4.2 **PHD** shall be the smallest dimension through the shaft centerline of the projected area of the propeller hub.
- D4.3 **PHL** shall be the distance from the shaft end of the propeller hub to the intersection of the blade axis and shaft.
- D4.4 **PBW** shall be the propeller blade width measured across the driving face of the blade on a chord at right angles to the radius of the blade.

- D4.5 **PSA** shall be the angle between the centerline of the propeller shaft and a tangent to a hull buttock line 0.15 m (0.5 ft) off the hull centerline midway between the axis of the propeller blades and the point where the propeller shaft emerges from the hull. This angle approximates the angle between the propeller installation's shaft axis and the water flow past it. Any unfairness or reverse inflection shall be bridged to yield a fair approximation of the slope of the hull body in way of the propeller shaft.
- D4.6 **PSD** shall be the minimum propeller shaft diameter exposed to water flow including that part of the shaft within the strut hub.
- D4.7 **ESL** shall be the length of the exposed shaft measured from the center of the propeller (the intersection of the blade axis and shaft) to the point at which the shaft center line emerges from the hull or appendage. For a boat with a Series Dates 1/1985 or later, **ESL** shall be the lesser of **ESL** as defined above or the length of the line  $8.0 * PSD$  below the shaft axis and parallel to it measured from the blade axis to the fair line of the aft edge of the keel.
- D4.8 **EDL** shall be the distance, measured along and in prolongation of the propeller shaft, from the center of the propeller to the aft edge of any other strut or fin (except the rudder blade) forward of the propeller.
- D4.9 **ST1** shall be the minimum projected thickness of the strut at any point between the hull and the shaft.
- D4.10 **ST2** shall be the minimum width of the strut, (including the strut hub) measured parallel to the shaft.
- D4.11 **ST3** shall be the maximum width of the strut, measured parallel to the shaft, not above a line  $0.3 * PRD$  above the shaft centerline.
- D4.12 **ST4** shall be the smallest dimension through the shaft centerline of the projected area of the strut hub within **ST2** of the aft end of the strut hub.
- D4.13 **ST5** shall be the distance, measured perpendicular to the propeller shaft at the forward end of **ST2**, from the centerline of the shaft to the hull or fair continuation of the hull.
- D4.14 If any of **ST1 – ST4** measurements for the strut drive installation has been increased by the fairing of the standard production unit, **ST1 – ST4** shall be recorded as manufactured.
- D4.15 **APH** shall be the maximum height of the aperture opening measured at right angles to the shaft line.
- D4.16 **APT** and **APB** shall be the maximum widths of the aperture opening measured parallel to the shaft line at distances not less than  $PRD / 3.0$  above and below the shaft line.
- D4.17 For each of the propeller installation types, the following measurements shall be taken:
- a) In Aperture: **PRD, APH, APT, APB**
  - b) Strut Drive: **PRD, EDL, ST1, ST2, ST3, ST4, ST5**
  - c) Shaft not exposed: **PRD, PHD, PHL, PSD, ESL**
  - d) Shaft exposed: **PRD, PHD, PHL, PSA, PSD, ESL, ST1, ST2, ST3, ST4, ST5**
- D4.18 The presence of twin propellers shall be recorded with “YES” or “NO”.

# Propeller Installation Measurement

## Shaft



\***ST3** is the maximum strut width measured parallel to the propeller shaft found not more than  $0.3 \times \text{PRD}$  above the shaft centerline.

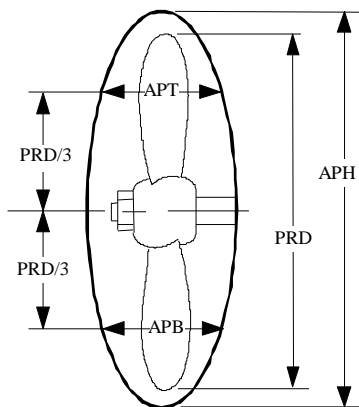
\*\***ST5** is measured perpendicular to the shaft centerline from the hull to the shaft centerline at the forward end of ST2.

\*\*\***PSA** (Propeller Shaft Angle) may be measured in two steps:

1. Angle between shaft centerline and level datum line
2. Angle between buttock tangent line and level datum line

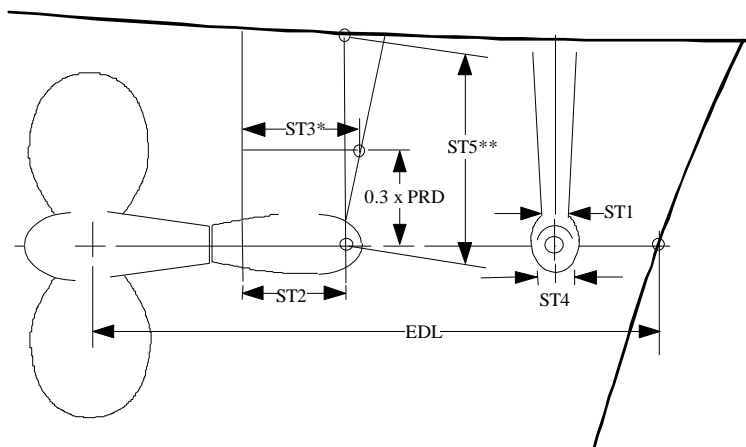
Add angles to arrive at PSA.

## In Aperture



**APT** and **APB** are the maximum aperture widths measured parallel to the propeller shaft, found not less than  $\text{PRD}/3$  above and below the shaft centerline.

## Strut Drive



# Part E - STABILITY

---

## E1 General

- E1.1 Inclining test measurements shall be performed in calm water with the boat not depressed on any side by lying to a mooring, and with no one aboard while in measurement trim.
- E1.2 A manometer as a "water scale" or an ORC-approved electronic inclinometer shall be used.

## E2 Inclining Test

E2.1 The inclining test shall be performed as follows:

- a) The boat shall be in measurement trim as defined in B4.
- b) Two poles shall simultaneously be positioned port and starboard, approximately:
  - at the LCF (longitudinal centre of flotation) when known from the stem; or
  - when LCF is not known, at the **MB** station (**SMB** from the stem), but not aft of 65% **LOA**.

The poles shall be suspended outboard to provide arms for supporting inclining weights, and arranged to be normal to the boat's centerline and as horizontal as possible but allowing sufficient clearance to prevent the weights from touching the water. The poles shall be approximately **SPL** in length and the yacht's pole or poles shall be used when available. If a yacht's pole is not used for the inclining test it shall not be on board.

- c) Either a manometer or an ORC-approved electronic inclinometer shall be placed on the deck and positioned athwart the yacht where it can be read by the measurer.
- d) When the poles are rigged and all the weights suspended on the starboard side the datum on the manometer shall be marked. Where an electronic inclinometer is used, the datum position may be recorded four times in succession.
- e) if the manometer is used the weights shall be transferred one by one to the port side, weight transferred and manometer reading shall be recorded. As an alternative or when an electronic inclinometer is used, all weights may be transferred at once to the port side, and the resulting angle recorded four times in succession.
- f) All the weights shall be suspended on the starboard side once again and the datum on the manometer verified.

E2.2 Alternative to the procedure defined in E2.1 and particularly on boats that would require heavier weights to be suspended, a boat's boom may be used to suspend weights as follows:

- a) The boat shall be in measurement trim as defined in B4.
- b) The boom shall be set horizontal when on centerline and then placed outboard and fixed with its end in the longitudinal position of:
  - the LCF (longitudinal centre of flotation) when known from the stem; or
  - when LCF is not known, at the **MB** station (**SMB** from the stem), but not aft of 65% **LOA**.
- c) Heel angle without weights as a datum shall be recorded either with a manometer or an ORC-approved electronic inclinometer.
- d) Weights shall be suspended on the end of the boom and resulting angle recorded again either with a manometer or an ORC-approved electronic inclinometer.
- e) Same procedure in c) and d) shall be repeated on port and starboard sides, averaging the results

E2.3 **PLM** shall be the length of the manometer from the center line of the fluid reservoir to the centerline of the gauge cylinder recorded in millimeters to one decimal place and shall not be less than 2000.0 mm.

E2.4 **GSA** shall be the surface area of the manometer gauge in square millimeters.



- E2.5 **RSA** shall be the surface area of the fluid reservoir in square millimeters.
- E2.6 When an electronic inclinometer is used **PLM** shall be recorded as 9000, **GSA** and **RSA** as 1.0.
- E2.7 **WD** shall be:
- When the inclining test is performed with two poles: the horizontal distance from the point of attachment of the starboard weight to the point of attachment of the port weight with the weights distributed equally on the two pole ends. The weights shall be attached so that the weight distance is constant for all tests. The weight distance shall be of the order of  $MB + 2.0 * SPL$ .
  - When the inclining test is performed with boom: the average of the horizontal distances from the point of attachment of the weights on the boom on port and starboard sides to the boat's centerline.
- E2.8 **W1 ... W4** shall be the total weight suspended from the port pole for each reading of the manometer. They shall be of suitable magnitude to ensure that the largest **PD** is within:
- $\pm 0.01 * PL$  of  $0.0275 * PL$  for yachts with **LOA** > 24.0 m
  - $\pm 0.01 * PL$  of  $0.105 * PL$  for yachts with **LOA** > 12.5 m and **LOA** <= 24.0 m
  - $\pm 0.01 * PL$  of  $0.125 * PL$  for yachts with **LOA** <= 12.5 m
- where  $PL = PLM / (1 + GSA/RSA)$  and the intermediate values are approximately equally spread over the range.
- E2.9 **PD1 ... PD4** shall be the deflections on the manometer gauge after each weight of the set has been moved, from the datum established in E2.1(d) or E2.2(c).
- E2.10 For boats of **LOA** > 24.0 m inclining data obtained from other measurements required by the classification companies or other maritime authorities may be used provided they are adjusted to the measurement trim and conditions as defined in B4.2. Use of such data shall be verified and approved by the ORC Chief Measurer.

### E3 Water Ballast

- E3.1 Following shall be recorded for each water ballast tank on one side:
- WBV** as the maximum water ballast volume in litres (gallons in imperial units) that can be loaded on one side
  - Longitudinal distance from stem.
  - Vertical distance from the waterline
  - Transversal distance from the boat's centreline

### E4 Canting Keel

- E4.1 The inclining test for a yacht equipped with a canting keel with symmetric maximum cant angles port and starboard shall be performed as follows:
- The inclining test shall be made with the canting keel on centerline according to E2.
  - The keel shall then be canted fully to starboard to the maximum angle or to the angle limited by the locking device above which canting keel shall not be canted while racing. The resulting list angle shall be recorded and the angle of the keel relative to the yacht's centerplane also recorded. These measurements shall be repeated and recorded with the keel canted fully to port.
- E4.2 **LIST** shall be the average of the port and starboard list angles to the nearest tenth of a degree. If the port and starboard list angles are not approximately equal, the yacht may be deemed not to comply with the provision above for symmetric cant angles.
- E4.3 **CANT** shall be the average of the port and starboard cant angles.

# Part F - RIG

---

## F1 General

- F1.1 Spars shall not be permanently bent. A spar that will straighten when stresses imposed by the rigging are removed does not constitute a permanently bent spar.
- F1.2 Masts shall not be rotating. Masts shall be structurally continuous (non-articulating) from the masthead to the step. Masts that are not stepped on the keel shall not be pivoted fore or aft while racing.
- F1.3 Boats shall be fitted with a forestay which may be adjustable if recorded as such according to F9.3. Forestay and shrouds shall be connected by conventional turnbuckles, toggles or link-plates. The mast may be steadied to balance an untensioned backstay only by use of a headsail halyard and its proper winch. A device for measuring forestay tension is permitted. Provided that it is incapable of adjusting the stay and has a possible movement of no more than 5 mm it shall be recorded as a fixed forestay.
- F1.4 The rig shall be measured according to the ERS except otherwise prescribed by the IMS, in which case IMS shall prevail.
- F1.5 The following amendments to the ERS shall apply:
- a) **Mast datum point** shall be the intersection of the forward side of the mast, extended as necessary, and horizontal plane at the at top point of the station abreast the mast.
  - b) **Rigging point** shall be the attachment of the forestay to the mast structure, or the intersection of the center line of the forestay with the foreside of the mast where the point of attachment is internal.
  - c) **Upper point** of the mast shall be the lowest point of the **upper limit mark** at the aft edge of the mast or top of the highest sheave used for the main halyard.
  - d) **Outer point** of the boom shall be the point on the boom's **outer limit mark** at the upper edge, nearest the fore end of the boom or the aftermost position to which the sail can possibly extend.
  - e) **Limit Marks** shall be permanently marked. The **Limit mark width** shall be not less than 25mm. 'Permanent' shall mean unable to be removed and repositioned without destroying them.

## F2 Mainsail Hoist

- F2.1 **P** shall be the **mainsail luff mast distance**.
- F2.2 If a sliding gooseneck is used the **lower limit mark** shall be placed at the height below which the foot shall not be while *racing*.

## F3 Mast Heights

- F3.1 **IG** shall be the **forestay height**.
- F3.2 **ISP** shall be the highest of:
- a) the **spinnaker hoist height**, or
  - b) the intersection of the **spar** and the lower edge of the **halyard** of **headsail set flying**, when at 90° to the **spar**, each extended as necessary.
- F3.3 **SPS** shall be the vertical distance from the **mast datum point** to the point on the mast intersected by the centerline of the spinnaker pole when set at the highest point on its track or to the lowest point of a painted measurement mark on the mast in which case the pole shall not be attached to the mast above that point while *racing*.
- F3.4 **BAS** shall be the vertical distance between **mast datum point** and **lower point** on the mast.

#### F4 Mast Spar Dimensions

- F4.1 **MDT1** shall be the maximum **transverse mast spar cross section** above  $0.5 * P$  from the **lower point**.
- F4.2 **MDLI** shall be the maximum **fore-and-aft mast spar cross section** above  $0.5 * P$  from the **lower point**.
- F4.3 **MDT2** shall be the minimum **transverse mast spar cross section** below the **upper point**.
- F4.4 **MDL2** shall be the minimum **fore-and-aft mast spar cross section** below the **upper point**.
- F4.5 **TL** shall be the vertical distance from the highest point at which **MDT1** or **MDLI** occurs, whichever is lower, to the **upper point**.
- F4.6 **MW** shall be the minimum **fore-and-aft mast spar cross section** below the **rigging point** and above the lowest spreader.
- F4.7 **GO** shall be the horizontal distance from the **rigging point** to the after side of the mast or vertical projection of the after side of the mast.
- F4.8 **GOA** shall be the distance between the **upper point** on the aft face of the mast to the center of attachment point of the upper end of the backstay.

#### F5 Boom Spar Dimensions

- F5.1 **E** shall be the **outer point distance**.
- F5.2 **BD** shall be the maximum **vertical boom spar cross section**.
- F5.3 **BAL** shall be the distance from the **outer point** to the **limit mark** denoting the limit on the boom beyond which no lead for the sheeting of headsail or spinnaker shall be attached. In the absence of such a band **BAL** shall be measured to the boom end.
- F5.4 **BWT** shall be the **boom weight**.

#### F6 Rigging Measurements

- F6.1 **J** shall be the **foretriangle base**. Where there is the capacity for the mast to be moved at the deck, **J** shall be measured with the mast at the aftermost limit of adjustment unless a 1 in. (25mm) contrasting measurement band is provided. In this case **J** shall be measured to the aft edge of the band and the forward face of the mast shall not move aft of this point.
- F6.2 **SFJ** shall be the horizontal distance from the forward end of **J** to the forward end of **LOA** (negative if the forward end of **J** is ahead of the forward end of **LOA**).
- F6.3 **CPW** shall be the distance between the centers of the bearing points of the chainplates for the upper shrouds of the mainmast.
- F6.4 **CPD** shall be the distance between the center of the bearing point of the chainplate for the upper shrouds to the mainmast centerline.
- F6.5 **FSP** shall be the larger of either:
- twice the maximum dimension, measured at right angles to the longitudinal axis, of a luff groove device; or
  - the largest dimension of the doubled portion of a wrap-around headsail measured at right angles to the luff line when opened out.

**F7 Spinnaker Pole and Bowsprit**

- F7.1 *SPL* shall be the length of the spinnaker pole when forced outboard in its fitting on the mast and set in a horizontal position athwartships, measured from the center line of the yacht to the extreme outboard end of the pole and any fittings used when a spinnaker is set.
- F7.2 *TPS* shall be the horizontal distance from the foreside of the mast at its lowest point above the deck or coach roof to the foremost of:
- a) the point of attachment of the tacking point of any spinnaker or any headsail **set flying**, or
  - b) the **bowsprit outer point**
- F7.3 If bowsprit can be moved sideways from the centerline this shall be recorded as “YES” or “NO”.

**F8 Rig Weight and Center of Gravity**

- F8.1 *MWT* shall be the weight of the mast together with standing rigging with the components dry and the spars fitted only with components with which the yacht will use whilst *racing* as specified below:
- a) The mast shall be completely rigged with standing rigging, backstays, running backstays, spreaders, jumpers, lights, antennae, instrument displays and their mounting brackets, wiring and transducers, luff groove device and all other permanently attached fittings, including those turnbuckles which are not permitted to be adjusted while *racing*.
  - b) Excluded for measurement shall be running rigging (except backstays and running backstays as required in F8.1(a) above), checkstays, rigging adjusters of any type (hydraulic or otherwise) and any associated blocks and tackle, boom vang and reefing tackle. Halyard messengers of not more than 4mm diameter and weighing not more than 15 grams per meter and only sufficient for convenient re-leading may be used to replace internal portions of running rigging.
  - c) All wiring, messengers and standing rigging shall be in their proper attached positions, and any slack stretched down and secured along the length of the mast with light material, such as lanyards or tape, with any tails hanging free at the butt.
  - d) Headboard, luff slides, spinnaker pole cars and any other adjustable devices shall be at their lowest limit of travel.
- F8.2 *MCG* shall be the distance from the vertical center of gravity of the mast when fitted out for weighing as defined in F8.1 to the **lower point** on the mast.
- F8.3 As appropriate to the size of the mast, the values for *MWT* and *MCG* may be found either by measurement at the single point of the center of gravity of the mast and rigging or by measurement of tip and butt weights separately, followed by calculation of these values to be recorded.

**F9 Other Rig Measurements**

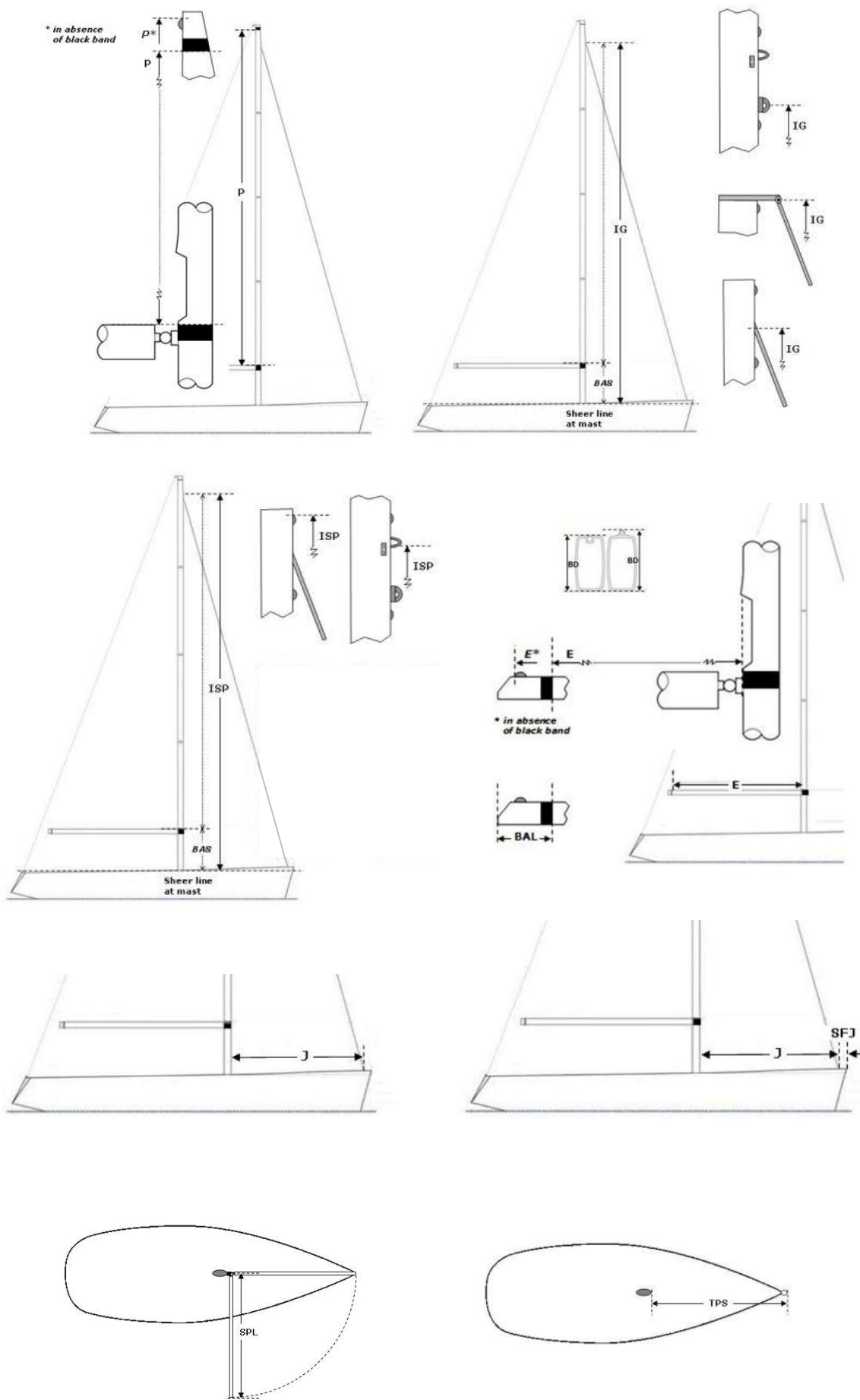
- F9.1 *Jumper Struts*. If the mainmast incorporates jumper struts, this shall be recorded as “YES” or “NO”.
- F9.2 *Inner stay*. If there is an inner stay, the tension of which may be adjusted, this shall be recorded as "ADJUSTABLE". If inner stay tension can not be adjusted, this shall be recorded as "FIXED".
- F9.3 *Forestay tension*.
- a) If the uppermost backstay is adjustable, this shall be recorded as “ADJUSTABLE AFT”.
  - b) If the forestay is adjustable and backstay is fixed, this shall be recorded as "ADJUSTABLE FORWARD".
  - c) If the forestay is adjustable and backstay is adjustable, this shall be recorded as "ADJUSTABLE AFT & FORWARD".
  - d) If neither the uppermost backstay nor forestay itself is adjustable, this shall be recorded as "FIXED".

- F9.4 **Number of spreaders** shall be recorded.
- F9.5 **Number of runners.** Running backstays and checkstays (according to the ERS) shall be recorded as “runners”. A backstay that enters the mast below the upper limit mark, but it is attached in the internal structure above the upper limit mark, shall not be counted as a “runner”. The number of pairs shall be recorded. Any secondary runner tension adjuster, fitted to the mast within  $0.1 * IG$  from the upper attachment point of the runners, shall not be counted as another pair of runners.
- F9.6 **Taper Hollows.** If the mast taper has hollows, this shall be recorded as “YES” or “NO”.
- F9.7 If **MWT** and **MCG** are not measured following shall be recorded:
- Carbon mast.** If the mast is made of carbon, this shall be recorded as “YES or “NO”
  - Fiber rigging.** If any part of the standing rigging is made of any fiber, this shall be recorded as “YES or “NO”
  - Mainsail furler:** If there is a mainsail furler in the mast, this shall be recorded as “YES” or “NO”.
- F9.8 If there is a headsail furler on a fixed forestay used in association with only one headsail, which has **HLP** greater than 110% of **J**, this shall be recorded as “YES” or “NO”.
- F9.9 If the standing rigging has any non-circular sections, this shall be recorded as “YES” or “NO”.
- F9.10 If there is a backstay, this shall be recorded as “YES” or “NO”.
- F9.11 If non-manual power can be used for adjusting running rigging or spars, this shall be recorded as follows:
- “SHEETS” when non-manual power is used for adjusting clew of a sail or a boom
  - “RIG” when non-manual power is used for adjusting backstay, vang or outhaul
  - “YES” what include a) and b) above used together
  - “NO” when there is no non-manual power used.

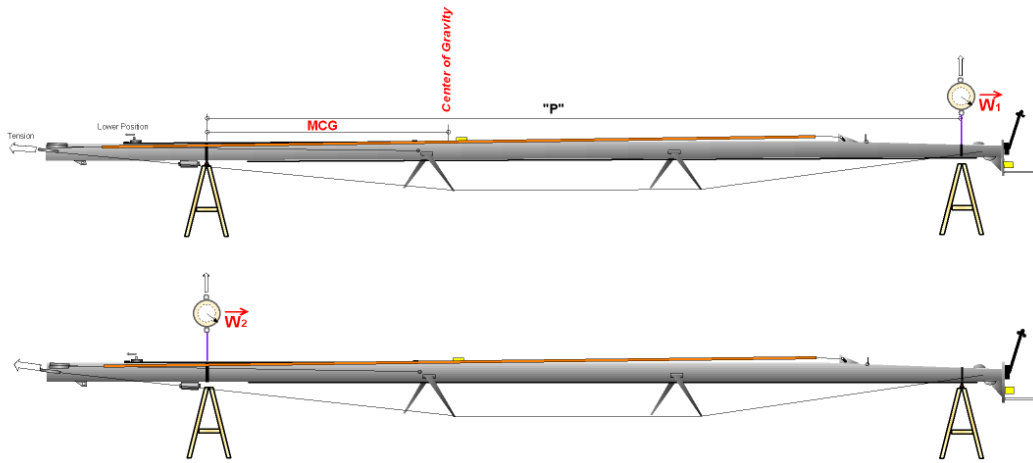
## F10 Mizzen Rig Measurements

- F10.1 **PY, MDT1Y, MDL1Y, MDT2Y, MDL2Y, TLY, BASY, EY, BDY, BALY** shall be taken as corresponding measurements defined in F2 – F5.
- F10.2 **IY** shall be the vertical distance from the mast datum point to the higher of:
- the center of the highest eyebolt or eye used for a mizzen staysail; or
  - the intersection of the foreside of the mast with the highest strop used for the halyard of a mizzen staysail.
- F10.3 **EB** shall be the distance at deck level between the after side of the mainmast to the foreside of the mizzen mast.



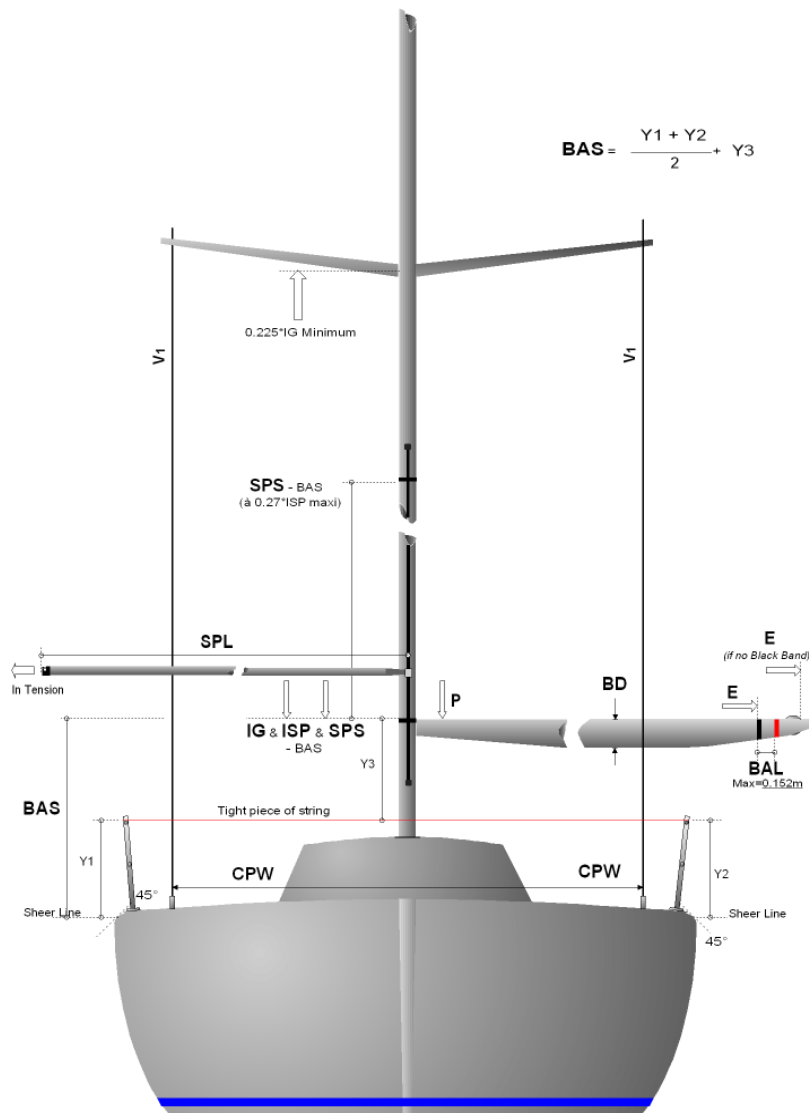


Diagrams for illustration only



$$MWT = W_1 + W_2 \text{ (Kgs)}$$

$$MCG = \frac{W_1 \times "P"}{MWT} \text{ (m)}$$



Diagrams for illustration only

# Part G - SAILS

## G1 General

- G1.1 A sail shall not be constructed in such a manner that any portion may be completely detached.
- G1.2 No device other than a normal leech line shall be used to adjust the curvature of any batten.
- G1.3 Sails shall be measured according to the ERS except otherwise prescribed by the IMS, in which case IMS shall prevail.
- G1.4 If a **seven-eighths leech point** cannot be found on the **leech**, the **aft head point** shall be taken as the **seven-eighths leech point**.
- G1.5 If mainsail and all headsails are made of woven polyester, this shall be recorded as “YES or “NO”
- G1.6 ERS H5.4 does not apply.
- G1.7 ERS definition of **Set Flying** is changed to: “A **sail** set with no **sail edge** attached to the **forestay**.”

## G2 Mainsail

G2.1 The following measurements shall be taken:

**MHB** shall be the **top width** except as defined in G2.2

**MUW** shall be the **seven-eighths width**.

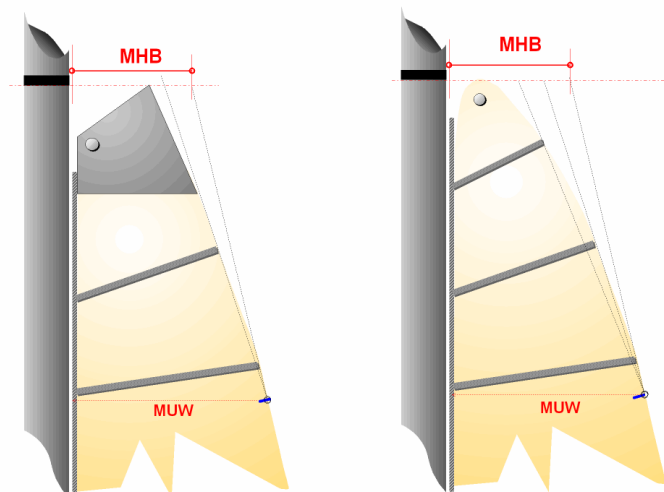
**MTW** shall be the **three-quarter width**.

**MHW** shall be the **half width**.

**MQW** shall be the **quarter width**.

Measurements of **MUW**, **MTW**, **MHW** and **MQW** shall be equal or greater than the closest measurement above it.

G2.2 If the centerline of a batten pocket is situated above **seven-eighths leech point**, a straight line shall be taken through **seven-eighths leech point** and the centerline of a batten on the **leech** situated above this point. The intersection of that straight line and the line through the **head point** at 90° to the **luff** shall be taken as the point from which **MHB** shall be measured to the **head point**.



**BATTENS above Upper Leech Point**  
(Ref: IMS G.2.2)

*Diagram for illustration only*

## G3 Mizzen

**MHBY**, **MQWY**, **MHWY**, **MTWY**, **MUWY** shall be taken as corresponding measurements defined in G2.

#### G4 Headsail

- G4.1 The distance between **half luff point** and **half leech point** of the headsail shall be less than 75% of the **foot length**. The following measurements shall be taken:

***HHB*** shall be the **top width**.  
***HUW*** shall be the **seven-eighths width**.  
***HTW*** shall be the **three-quarter width**.  
***HHW*** shall be the **half width**.  
***HQW*** shall be the **quarter width**.  
***HLU*** shall be the **luff length**.  
***HLP*** shall be the **luff perpendicular**.

The measurements can be reduced to the last two items for headsail measurements before 01/01/2009 or when the leech has a clear hollow and the headsail is not the largest in the sails inventory.

Headsails with distance between **half luff point** and **half leech point** of 55% or more of the **foot length** (formerly known as Code 0) measured before 01/01/2014 may have **SLU**, **SLE**, **SFL** and **SHW** measured.

If there are battens on the headsails, this shall be recorded as “YES” or “NO”.

If headsail is **set flying**, this shall be recorded as “YES” or “NO”.

- G4.2 Any device or sail construction used to artificially shorten a **luff** shall be removed for the ***HLU*** measurement.
- G4.3 The distance between **half foot point** and **half luff point** on the headsail shall be not greater than 55% of ***HLU***.

#### G5 Mizzen Staysail

Mizzen staysails shall be three-cornered. The longest side edge shall be taken as a **luff**, the shortest edge shall be taken as a **foot**, and third edge shall be taken as a **leech**. The following measurements shall be taken:

***YSHF*** shall be the shortest distance that can be measured from **head** to **foot**.  
***YSHW*** shall be the **half width**.  
***YSFL*** shall be the **foot width**.

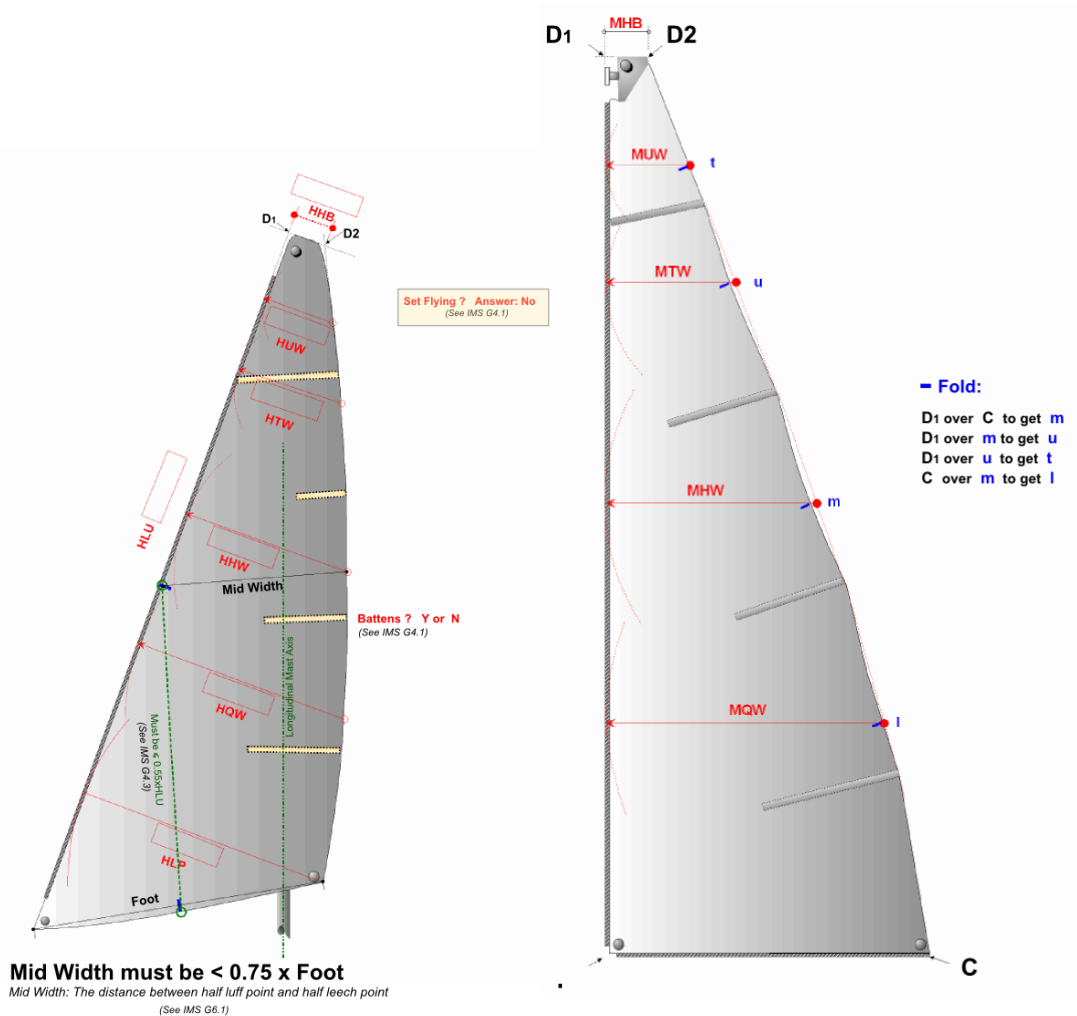
#### G6 Spinnakers

- G6.1 The **half width** of any spinnaker shall be 75% or more of the **foot length**.
- G6.2 The symmetric spinnaker shall be symmetric in shape, material and cut, about a line joining the **head** to the center of the **foot**. The symmetric spinnaker shall not have adjustable leech lines. Any spinnaker not qualifying as symmetric shall be considered as asymmetric.
- G6.3 Battens are not permitted on any spinnaker.
- G6.4 The following measurements shall be taken on symmetric spinnaker:  
***SLU*** shall be the **luff length**.  
***SLE*** shall be the **leech length**.  
***SHW*** shall be the **half width**.  
***SFL*** shall be the **foot length**.
- G6.5 The following measurements shall be taken on asymmetric spinnaker:  
***SLU*** shall be the **luff length**.  
***SLE*** shall be the **leech length**.  
***SHW*** shall be the **half width**.  
***SFL*** shall be the **foot length**.

**G7 Sail Measurement Stamp**

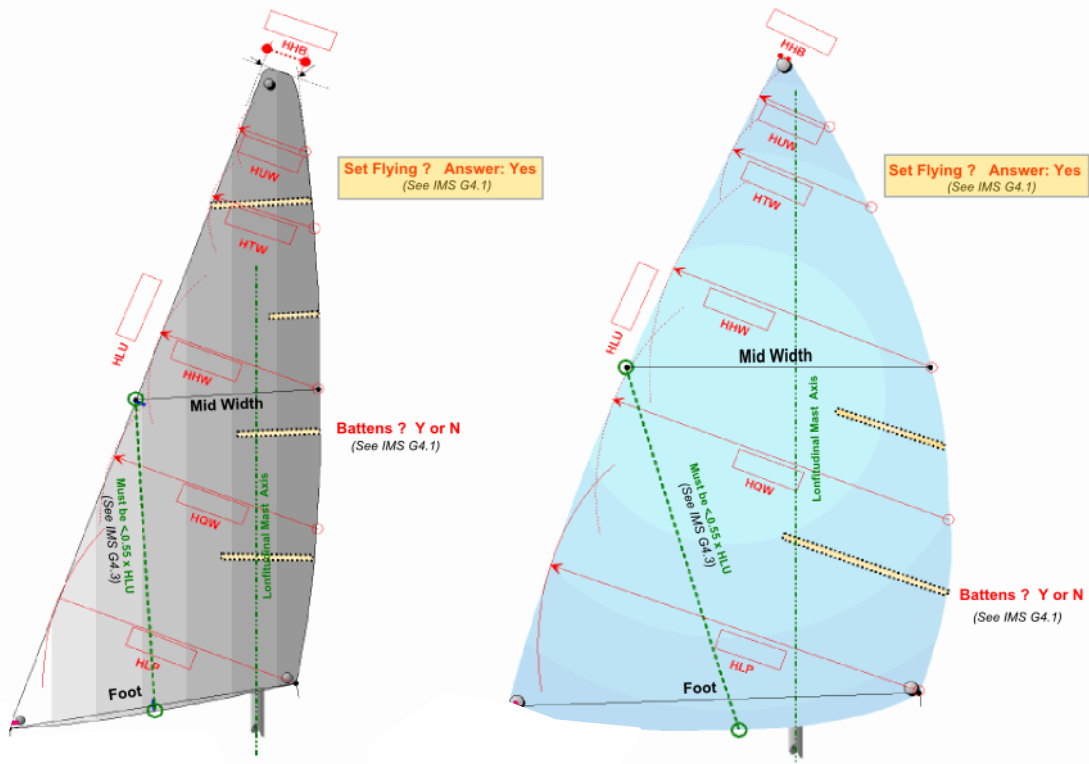
All sails shall be available for measurement. The measurer shall mark the sails complying with the IMS with an ORC-approved stamp, enter the measurements found, date and sign them. The stamp shall be issued by the Rating Authority for which a 3-letters national code shall be displayed in the rightmost column of the first row, as shown below:

<b>ORC</b>	measurer: nr.	<b>MNA</b>
d / m / y	SIGNED:	



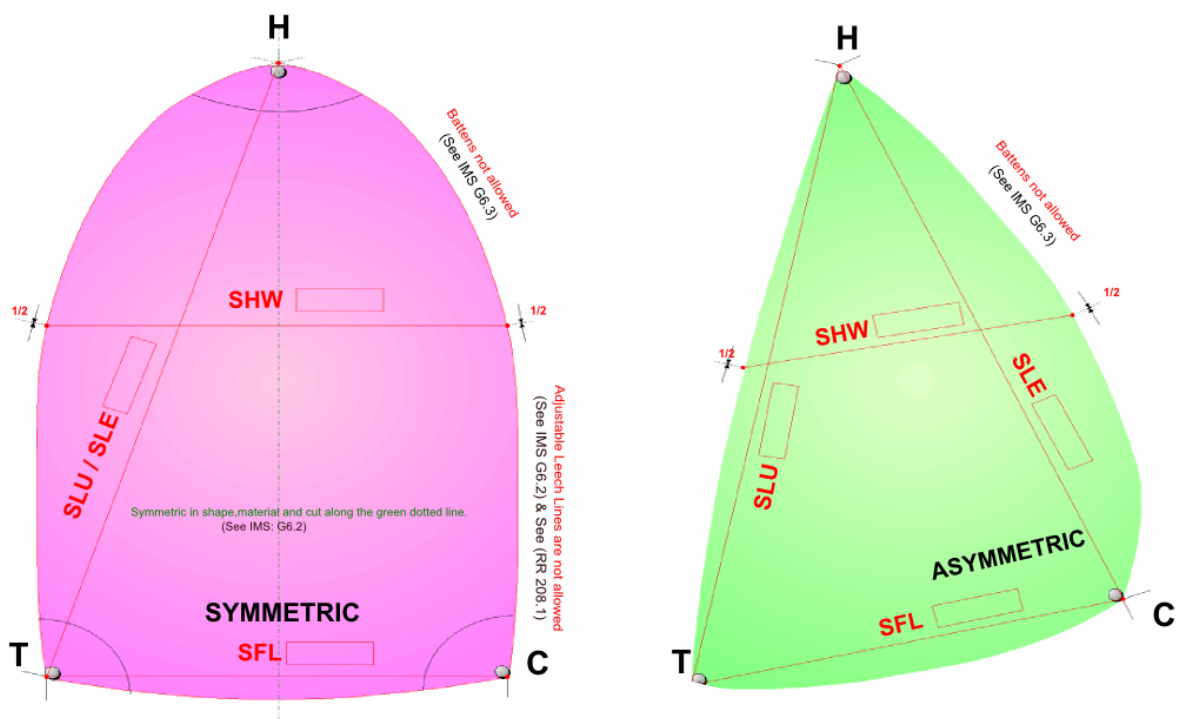
**HEADSAILS** (SET on a stay attached forward of the mast)

**MAINSAIL**



**Mid Width must be  $< 0.75 \times$  Foot**  
 Mid Width: The distance between half luff point and half leech point  
 (See IMS G6.1)

## HEADSAILS (SET FLYING)



**Half Width (SHW) must be  $\geq 75\%$  SFL**  
 (See IMS G6.1)

## SPINNAKERS

*Diagrams for illustration only*



# Appendix 1 – CRUISER/RACER REGULATIONS

---

## PART 1 - GENERAL

### Introduction

The purpose of these regulations is to define requirements for categorizing boats as Cruiser/Racers controlling the cost, promoting safety and crew comfort. Cruiser/Racer yachts shall be those designed for cruising and longer stay on a boat and the minimum requirements are intended to guarantee as far as possible that boat follow the basic philosophy which include:

- The purpose of the yacht shall be in the first instance cruising.
- Accommodation layout and outfit shall be at least comparable to the standards of series production models which would find a broad market as cruising yachts.
- Sacrifice of layout and accommodation to features which are primarily suited to the racing character of a yacht shall be suppressed.
- The yacht without modification is fully suitable and actually used for cruising.

### 101 Cruiser/Racer Category

1. Boats complying with these regulations shall be categorized as Cruiser/Racers and all IMS and ORC rules and regulations as well as VPP calculations using C/R category shall apply to these boats.
2. Boats not complying with these regulations shall be categorized in Performance category.
3. Boats measured before 01/01/2010 shall comply with accommodation regulations applicable at the time of measurement where former Cruiser/Racer division will be grandfathered as Cruiser/Racer category and former Racing Division and None will be grandfathered as Performance category.
4. Any division of fleets, whether only for scoring purposes or to actually separate fleets on the race course, is at the discretion of National Authorities or local event organizers. However, when fleet is divided Cruiser/Racer category boats may on their own choice join the Performance category.

### 102 Fundamental Requirements and Definitions.

1. All systems relating to living, eating, sleeping, and stowage specified in these regulations shall be arranged in a manner suitable for cruising use and shall operate so as to provide the service function normally associated with the system. Items shall be presented as they are intended to be used. For example, any item intended for use as a berth shall be in place and its function declared at the time of inspection.
2. Designations such as table, berth, sink, stove, refrigerator, and so forth are intended to define the full utility of conventional equipment and whatever weight is customarily associated with it.
3. Designations such as locker, bin and drawer, specify rigid construction and full practicality for convenient and safe segregated stowage usable and accessible under offshore conditions. The contents of all compartments shall be fully secured by doors or other suitable devices.
4. "Permanently Installed" means items are built in and may not be removed from their permanently installed position for measurement or during racing.

## PART 2 – ACCOMMODATION REQUIREMENTS

**201 Accommodation Areas.** The interior of the yacht should include: living area with table and settee, sleeping area(s), galley area, navigation area and a separate enclosed compartment for toilet/wash basin, accessible through a rigid door. Living areas and sleeping areas should be separated by means of rigid bulkheads or partitions.

**202 Accommodation Length (AL)** shall be the lesser of *LOA* or  $3.25 * MB$ , calculated to the nearest 0.1m.

**203 A Cabin Sole** shall extend fore and aft over a length which provides convenient access to lockers, berths, galley, head, navigation area and other components making up the yacht's interior.

**204 Headroom (HR)** measured from cabin sole to the ceilings shall be not less than

*For yachts with an AL of 8.5m or less,* *HR = 1.40 m*  
*For yachts with an AL between 8.6m and 14.4m:* *HR = 1.5 + 0.1656 \* (AL - 8.5)^0.5 (metres)*  
*For yachts with an AL of 14.5m or more,* *HR = 1.90 m*

**205 Living Area.** A living area (cabin) shall consist of space containing a table and settees.

1. **Table** should be permanently installed, of substantial construction and arranged with convenient seating, fixed to the cabin sole or hinged from a bulkhead to facilitate stowage.

*Required table area = 0.11 \* Min. Number of Berths (m<sup>2</sup>)*

2. **Settees** are required sufficient to allow a number of crew equivalent to the number of berths to sit around the table.

**206 Sleeping Area** shall consist of a space containing berths and adequate facilities for personal gear stowage.

1. **Berths.** Each single berth should be at least 1.9m in length and at some point at least 0.6m in width. A double berth shall be at least twice the width of a single berth. The ends of berths may taper as required by the hull shape. Mattresses are to be fitted to all such berths.

*Accommodation Length*      *Min. Number of Berths*

$AL \leq 7,9$	2
$8,0 \leq AL \leq 8,9$	3
$9,0 \leq AL \leq 10,6$	4
$10,7 \leq AL \leq 12,7$	5
$12,8 \leq AL \leq 14,9$	6
$15,0 \leq AL \leq 17,0$	7
$17,1 \leq AL \leq 19,1$	8
$19,2 \leq AL \leq 21,2$	9
$21,3 \leq AL \leq 23,4$	10
$AL \geq 23,5$	11

2. **Personal Gear Stowage** shall be provided in the form of built-in lockers with doors, bins with hatches or drawers.

*Required volume = 0.04 \* Min. Number of Berths (m<sup>3</sup>)*

**207 Galley Area:**

A galley area is not permitted in a space counted as a Sleeping Area and shall include:

1. **Stoves:** A gimballed stove fitted with high retaining rails to permit safe operation underway.
2. **Sinks:** Permanently installed and fitted with pump/tap and drainage system.
3. **Galley Gear Stowage:** Should be provided in rigid lockers, bins or compartments.
4. **Food Stowage:** Stowage for food should be provided in rigid lockers, bins or compartments.

*Required volume = 0.06 \* Min. Number of Berths (m<sup>3</sup>)*

- 208** 1. **Toilet** Marine type permanently installed and operable in compliance with local regulations.  
 2. **Wash Basin:** Near the toilet, fitted with pump/tap and drainage system which permits use underway.
- 209** **Navigation Area** shall include flat area suitable for chart work. The area should be built with storage for charts, navigational instruments, books, etc. In smaller yachts, counter tops, cabin tables or portable chart boards.
- 210** **Hanging Locker(s)** shall be of sufficient dimension to permit hanging garments vertically.
- 211** **Fresh Water Capacity:** For yachts with an AL of 8.5m and greater fresh water pumps shall be installed at the sink and wash basin and fresh water shall be contained in permanently installed tankage either of rigid construction or of the bladder type.  
*Min. fresh water capacity in litres = (5\*AL-30) \* Min. Number of Berths*
- 212** **Fuel Capacity:** Yachts with inboard engines shall be directly supplied from permanently installed fuel tankage.  
*For AL of 8.5m or less the required capacity for diesel fuel is 20 litres.*  
*For AL of 8.6m or more the required capacity for diesel fuel = 20\*AL -150 (litres).*  
*Fuel capacity for gasoline = 1.25 \* fuel capacity for diesel.*
- 213** **Cockpit**  
 For cruising amenity, the cockpit should feature fixed seating, seatbacks and coamings. The length of seating should accommodate crew numbers at least equal to the required number of berths.

# INDEX OF SYMBOLS

AFPV	Aft Freeboard Point Vertical Offset	B2.4	J	Foretriangle Base	F6.1
AL	Accommodation Length	202	HQW	Headsail 1/4 Width	G4.1
APB	Aperture Bottom Width	D4.16	HHW	Headsail 1/2 Width	G4.1
APH	Aperture Height	D4.15	HUW	Headsail Upper Width	G4.1
APT	Aperture Top Width	D4.16	HTW	Headsail 3/4 Width	G4.1
BAL	Boom After Sheeting Limit	F5.3	HHB	Headsail Top Width	G4.1
BALY	Boom After Sheeting Limit Mizzen	F10.1	HLU	Headsail Luff	G4.1
BAS	Boom Above Sheerline	F3.4	KBH	Keel Bulb Height	C1.1(f)
BASY	Boom Above Sheerline Mizzen	F10.1	KBL	Keel Bulb Length	C1.1(e)
BC	Bilgeboard Chord	C4.3	KBW	Keel Bulb Width	C1.1(d)
BD	Boom Diameter	F5.2	KBWT	Keel Bulb Weight	C1.1(g)
BDY	Boom Diameter Mizzen	F10.1	KCDA	Keel Centerboard Depth Adjustment	C2.3
BF	Bilgeboard Fraction	C4.8	KCG	Keel Centre of Gravity	C1.1(j)
BS	Bilgeboard Span	C4.2	KTHL	Keel Thickness – Lower	C1.1(c)
BT	Bilgeboard Thickness	C4.4	KTHM	Keel Thickness – Mid	C1.1(b)
BWT	Boom Weight	F5.4	KTHU	Keel Thickness – Upper	C1.1(a)
BX	Bilgeboard Distance from Stem	C4.5	KW	Keel Weight	C1.1(h)
BY	Bilgeboard Transversal Distance	C4.6	KWC	Carbon Keel Weight	C1.1(i)
CANT	Average Cant Angle	E4.3	LIST	Average List Angle	E3.4, 4.2
CBDA	Centerboard Centre of Gravity Drop	C2.5	LOA	Length Overall	B6.2
CBDB	CBDA with Additional Centerboard	C2.5	HLP	Headsail Perpendicular	G4.1
CBMC	Centerboard Mid Chord	C2.6	MB	Maximum Beam	B6.3
CBRC	Centerboard Root Chord	C2.6	MCG	Mast Centre of Gravity	F8.2
CBTC	Centerboard Top Chord	C2.6	MDL1	Max. Fore-and-Aft Mast	F4.2
CPD	Chainplate Diagonal	F6.4	MDL1Y	Max. Fore-and-Aft Mast Mizzen	F10.1
CPW	Chainplate Width	F6.3	MDL2	Min. Fore-and-Aft Mast	F4.4
DMT	Deepest Point of Keel	B6.6	MDL2Y	Min. Fore-and-Aft Mast Mizzen	F10.1
DSA	DSS Angle	C6.4	MDT1	Max. Transverse Mast	F4.1
DSC	DSS Chord	C6.2	MDT1Y	Max. Transverse Mast Mizzen	F10.1
DSD	DSS Distance from Centreline	C6.5	MDT2	Min. Transverse Mast	F4.3
DSPW	Displacement as Weighed	B6.11	MDT2Y	Min. Transverse Mast Mizzen	F10.1
DSS	DSS Span	C6.1	MQW	Mainsail 1/4 Width	G2.1
DST	DSS Thickness	C6.3	MQWY	Mizzen 1/4 Width	G3
E	Mainsail Foot	F5.1	MHW	Mainsail 1/2 Width	G2.1
EB	Distance Between Masts	F10.3	MHWY	Mizzen 1/2 Width	G3
ECM	Extension of Centerboard below Hull or Keel	C2.2	MUW	Mainsail Upper Width	G2.1
EDL	Strut Drive Length	D4.8	MUWY	Mizzen Upper Width	G3
ESL	Exposed Shaft Length	D4.7	MTW	Mainsail 3/4 Width	G2.1
EY	Mizzen Foot	F10.1	MTWY	Mizzen 3/4 Width	G3
FAM	Freeboard Aft Measured	B5.4	MW	Mast Width	F4.6
FBI	Freeboard at Mast Station	B6.8	MWT	Mast Weight	F8.1
FMD	Freeboard at Maximum Draft Station	B6.7	P	Mainsail Luff Mast Distance	F2.1
FFM	Freeboard Forward Measured	B5.3	PBW	Propeller Blade Width	D4.4
FO	Forward Overhang	B6.10	PD1-4	Pendulum Deflections	E2.9
FSP	Forestay Perpendicular	F6.5	PHD	Propeller Hub Diameter	D4.2
GO	Forestay Outtrigger	F4.7	PHL	Propeller Hub Length	D4.3
GOA	Backstay Gantry	F4.8	PLM	Length of Manometer	E2.3
GSA	Gauge Surface Area	E2.4	PRD	Propeller Diameter	D4.1
MHB	Mainsail Top Width	G2.1	PSA	Propeller Shaft Angle	D4.5
MHBY	Mizzen Top Width	G3	PSD	Propeller Shaft Diameter	D4.6
IG	Height of Headsail Hoist	F3.1	PY	Mizzen Hoist	F10.1
IH	Interior Height	202, 302	RAN	Twinn Rudder Angle	C3.9
ISP	Height of Spinnaker Hoist	F3.2	RC1	Twin Rudder Root Chord	C3.4
IY	Height of Mizzen Mast	F10.2	RC2	Twin Rudder Tip Chord	C3.6
			RCG	Twin Rudder Distance from Stem	C3.1

RSA	Reservoir Surface Area	E2.5	SHW	Spinnaker Half Width	G6.4
RSP	Twin Rudder Span	C3.2			G6.5
RT1	Twin Rudder Root Thickness	C3.5	SPL	Spinnaker Pole Length	F7.1
RT2	Twin Rudder Tip Thickness	C3.7	SPS	Height of Spinnaker Pole Stop	F3.3
RY	Twin Rudder Transverse Distance	C3.8	ST1-5	Propeller Strut Dimensions	D4.9-13
SAFP	Stem to Aft Freeboard Station	B5.2	TL	Taper Length	F4.5
SFL	Spinnaker Foot	G6.4	TLY	Taper Length Mizzen	F10.1
		G6.5	TPS	Tacking Point of Spinnaker or Headsail Set Flying	F7.2
SFFP	Stem to Forward Freeboard Station	B5.1			
SFJ	Stem to Forward End of J	F6.2	W1-4	Inclining Weights	E2.8
SG	Specific Gravity	B5.5	WBV	Water Ballast Volume	E3.1
SLE	Spinnaker Leech	G6.4	WCBA	Centerboard Weight	C2.4
		G6.5	WD	Weight Distance	E2.7
SLU	Spinnaker Luff	G6.4	Y	Transom Height	B6.9
		G6.5	YSFL	Mizzen Staysail Foot Length	G5
SMB	Stem to Maximum Beam Station	B6.4	YSHF	Mizzen Staysail Head to Foot	G5
SDM	Stem to Maximum Draft Station	B6.5	YSHW	Mizzen Staysail Half Width	G5

*Sail measurements abbreviations before and after 01/01/2016*

	Dimension	Old Abbreviation	New Abbreviation
<b>Mainsail</b>	Mainsail Quarter Width	MGL	MQW
	Mainsail Half Width	MGM	MHW
	Mainsail Three Quarter Width	MGU	MTW
	Mainsail Upper Width	MGT	MUW
	Mainsail Top Width	HB	MHB
<b>Headsail</b>	Headsail Luff Length	JL	HLU
	Headsail Quarter Width	JGL	HQW
	Headsail Half Width	JGM	HHW
	Headsail Three Quarter Width	JGU	HTW
	Headsail Upper Width	JGT	HUW
	Headsail Top Width	JH	HHB
	Headsail Luff Perpendicular	LPG	HLP
<b>Spinnaker</b>	Spinnaker Luff Length	SL (SLU)	SLU
	Spinnaker Leech Length	SL (SLE)	SLE
	Spinnaker Foot Length	SF (ASF)	SFL
	Spinnaker Half Width	SMG (AMG)	SHW
<b>Mizzen</b>	Mizzen Quarter Width	MGLY	MQWY
	Mizzen Half Width	MGMY	MHWY
	Mizzen Three Quarter Width	MGUY	MTWY
	Mizzen Upper Width	MGTY	MUWY
	Mizzen Top Width	HBY	MHBY
<b>Mizzen staysail</b>	Mizzen Staysail Head to Foot	YSD	YSHF
	Mizzen Staysail Half Width	YSMG	YSHW
	Mizzen Staysail Foot Length	YSF	YSFL